

4

3

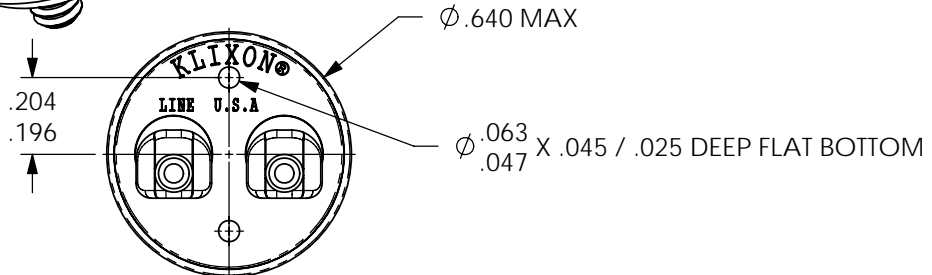
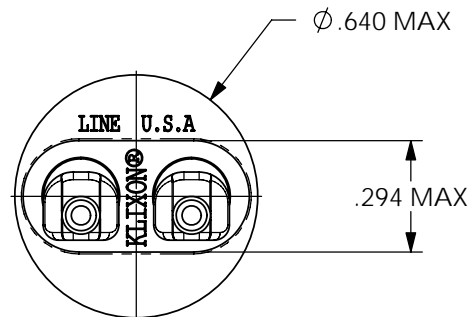
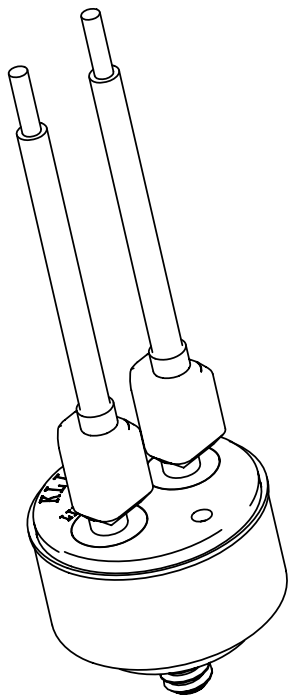
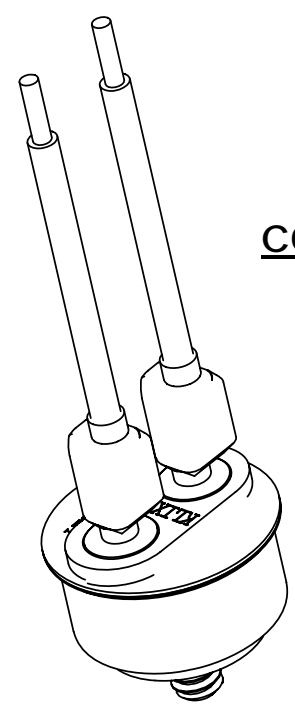
2

1

ZONE	REV.	REVISION DESCRIPTION	ECN NO.	DATE
	A	FIRST ISSUE; PD	ECN0032728	06-DEC-2006

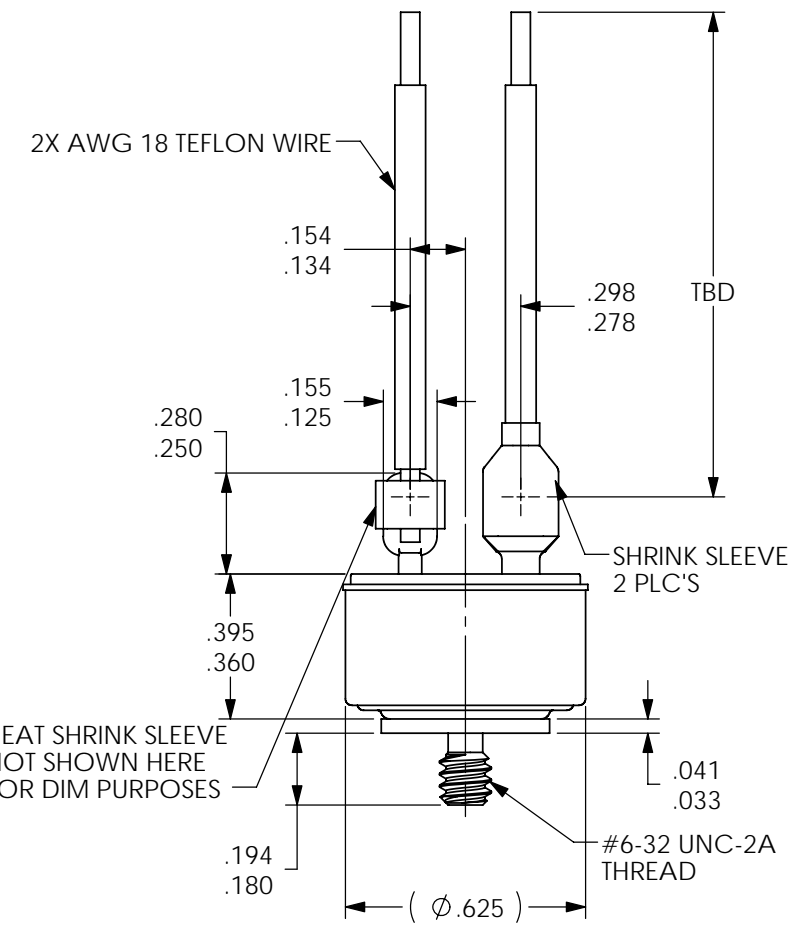
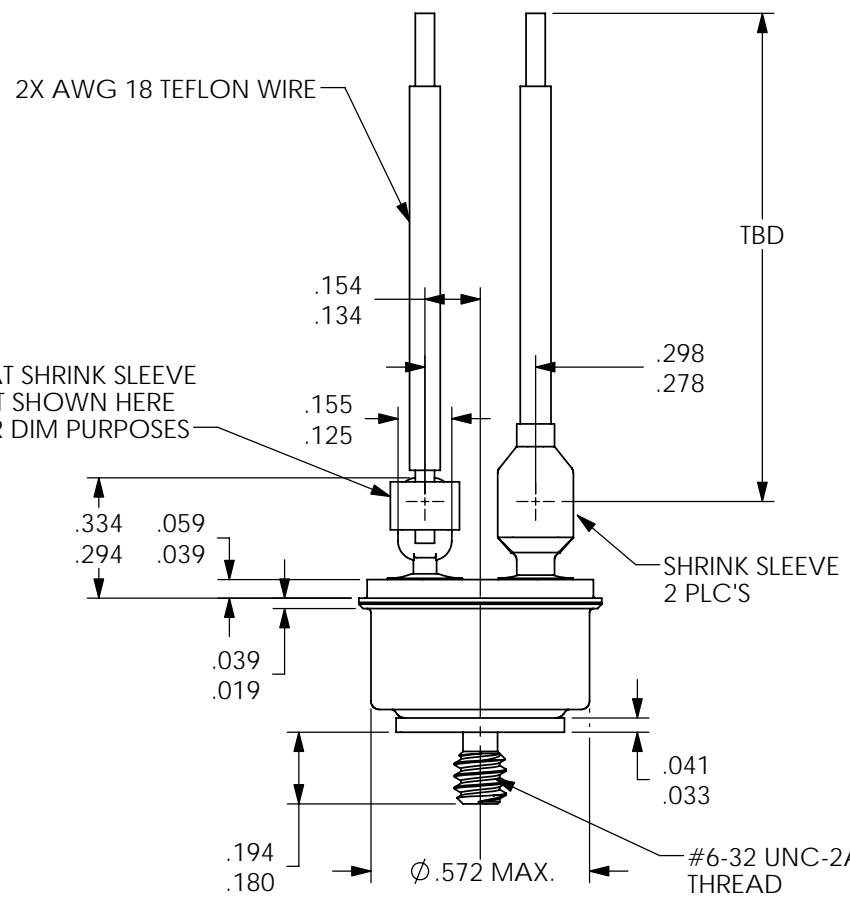
CONFIGURATION 1

CONFIGURATION 2



MATERIAL:
 CONFIGURATION 1: COPPER-NICKEL PLATED CARBON STEEL
 CONFIGURATION 2: UPLATED 304L STAINLESS STEEL

DIELECTRIC STRENGTH:
 TERMINAL TO CASE, 1250VAC, FOR 1 MINUTE



FOR REFERENCE ONLY, CHECK LATEST REVISION BEFORE USE. PARTS MADE TO THIS PRINT MUST CONFORM TO E9898 REV. E		 529 PLEASANT STREET P.O. BOX 2964 ATTLEBORO, MA 02703	TITLE 4344-336 THERMOSTAT SPST AUTO RESET SEALED ENVELOPE DRAWING
DRAWN PD DATE 06-DEC-2006	NEITHER THIS PRINT NOR THE INFORMATION CONTAINED HEREON IS TO BE USED AGAINST THE INTERESTS OF SENSATA TECHNOLOGIES OR AGAINST THE INTERESTS OF ANY OF ITS AFFILIATED COMPANIES OR WHOLLY OWNED SUBSIDIARIES		
ENGINEER S. MARQUIS DATE 06-DEC-2006	UNLESS OTHERWISE SPECIFIED DIMENSIONS ARE IN INCHES TOLERANCES DECIMALS ANGLES	DWG NO. 4344-336	
APPROVED P. BERG DATE 06-DEC-2006		THIRD ANGLE PROJECTION	SIZE B
APPROVED D. PETRIE DATE 06-DEC-2006	DO NOT SCALE DRAWING	SCALE 2:1	SOLIDWORKS SHEET 1 OF 1

4

3

2

1

DEVICE: 4344 PROJECT: 256A