



## QFP Sockets – Open Top

### Features

- Open top auto-load actuated socket
- Zero Insertion Force for auto-load

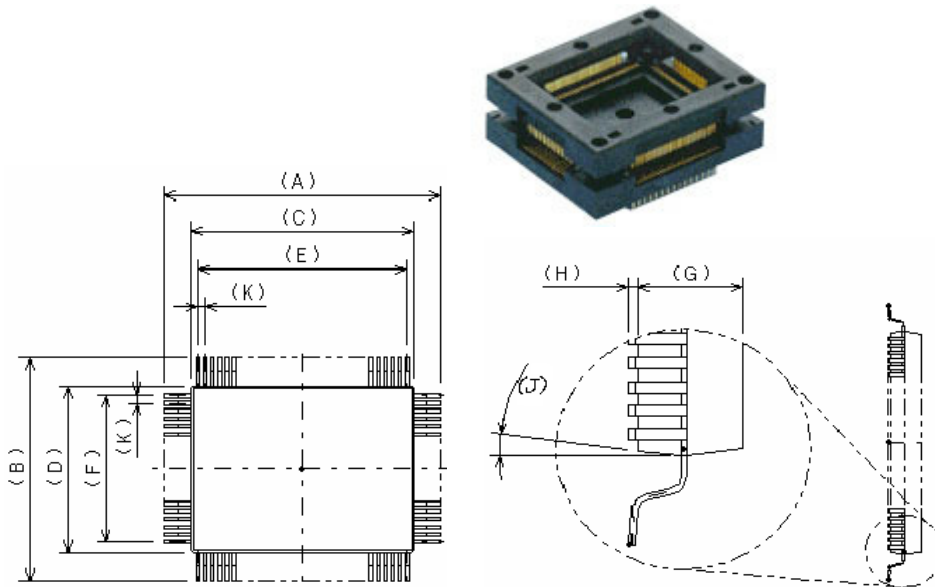
- Accommodates JEDEC package dimensions with corner post alignment
- Compact design and small footprint ensure high density mounting on BIB

### Material Characteristics

- Insulator: PEI (Glass Filled)
- Contact: Beryllium Copper
- Plating: Gold over Nickel

### Electrical Characteristics

- Insulation Resistance: 1,000M  $\Omega$  minimum at 500 VDC
- Withstanding Voltage: 100-700 VAC for 1 minute
- Contact Resistance: 30 m $\Omega$  maximum at 10mA/20mV (Initial)
- Temperature Rating: -40°C to 150°C
- Current Rating: 1.0 Amp
- Durability: 10,000 cycles minimum



Package Dimensions											Socket Dimensions	
# of Leads	K Pitch (mm)	A (mm)	B (mm)	C (mm)	D (mm)	E (mm)	F (mm)	G (mm)	H (mm)	J (deg)	Socket Envelope (X x Y) mm	Part Number
24	0.50	6.00	6.00	4.00	4.00	2.50	2.50	1.40	0.10	12.00	21.00x 21.00	CQF024-165B
44	0.80	12.40	12.40	10.00	10.00	8.00	8.00	1.40	0.10	7.00	27.80x 27.80	CQF044-131A
48	0.50	9.00	9.00	7.00	7.00	5.50	5.50	1.40	0.10	7.00	27.80x 27.80	CQF048-149A
100	0.65	23.20	17.20	20.00	14.00	18.85	12.35	2.70	0.10	12.00	44.00x 34.40	CQF100-138A
100	0.65	23.20	17.20	20.00	14.00	18.85	12.35	1.00	0.10	15.00	43.00x 32.80	CQF100143E
100	0.65	23.20	17.20	19.95	13.95	18.85	12.35	2.70	0.10	15.00	31.00x 25.00	CQF100-151A
100	0.65	23.20	17.20	18.85	12.35	18.85	12.35	1.00	0.13	12.00	31.00x 25.00	CQF100M-155A
100	0.65	23.20	17.20	18.85	12.35	18.85	12.35	1.00	0.10	12.00	31.00x 25.00	CQF100-155A
100	0.65	23.20	17.20	20.00	14.00	18.85	12.35	1.00	0.10	15.00	38.00x 32.60	CQF100-158A
100	0.65	22.00	16.00	20.00	14.00	18.85	12.35	1.40	0.10	12.00	37.00x 31.00	CQF100-160-AC
100	0.65	22.00	16.00	20.00	14.00	18.85	12.35	1.40	0.10	12.00	29.80x 23.80	CQF100-166B
120	0.50	18.40	18.40	16.00	16.00	14.50	14.50	2.20	0.14	10.00	36.60x 36.60	CQF120-142B
144	0.50	22.00	22.00	20.00	20.00	17.50	17.50	1.40	0.10	15.00	30.00x 30.00	CQF144-167D
208	0.50	30.60	30.60	28.00	28.00	25.50	25.50	3.30	0.15	15.00	39.40x 39.40	CQF208-168B

*All contacts are single type, except CQF144-167D and CQF208-168B*

**Sensata Technologies**  
529 Pleasant Street  
Attleboro, MA 02703-2964  
Phone: 1-508-236-1868  
Web: [www.sensata.com](http://www.sensata.com)

**Important Notice:** Sensata Technologies reserves the right to make changes to, or to discontinue, any product or service identified in this publication without notice. Before placing orders, users should obtain the latest version of the relevant information to verify that the information being relied upon is current.

Sensata Technologies assumes no responsibility for customers' product designs or applications. Users must determine the suitability of the Sensata device described in this publication for their application, including the level of reliability required. Many factors beyond Sensata's control can affect the use and performance of a Sensata product in a particular application, including the conditions under which the product is used and the time and environmental conditions in which the product is expected to perform. As these factors are uniquely within the user's knowledge and control, it is essential that the user evaluate the Sensata product to determine whether it is fit for a particular purpose and suitable for the user's application.

Sensata Technologies products are sold subject to Sensata's Terms and Conditions of Sale which can be found at [www.sensata.com/terms.htm](http://www.sensata.com/terms.htm)